



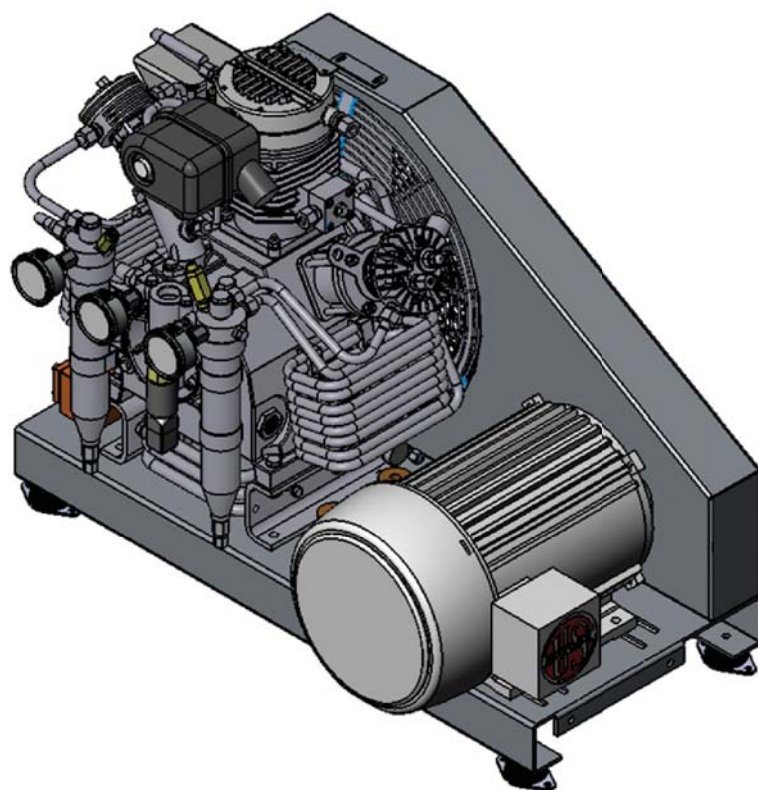
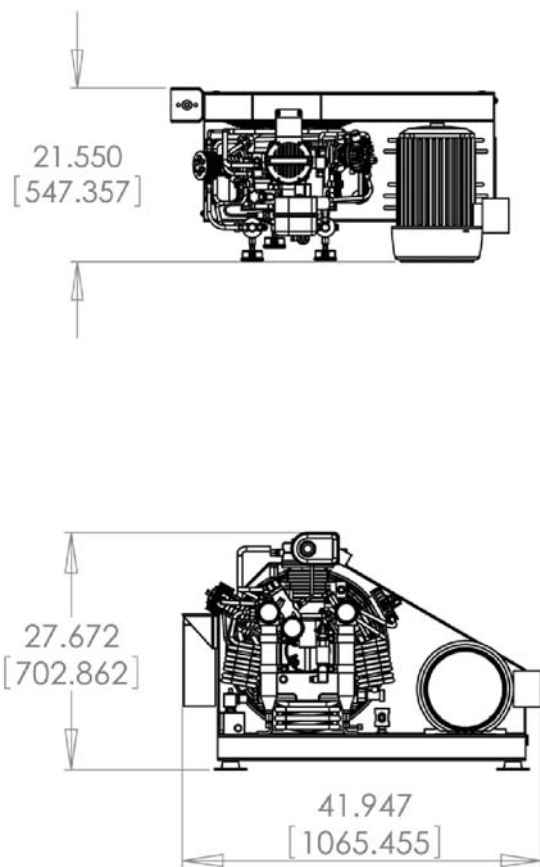
NS850

AIR COOLED DIVE COMPRESSOR



STANDARD FEATURES

- Bauer K12.14 compressor block , 13.1 cfm, (370 lpm), 10 HP (7.5 Kw)
208/230/460vac/3 phase/60 Hz or 380/415vac/3 phase/50 Hz
- TEFC motor - totally enclosed and fan cooled.
- Open stainless steel frame - Available in horizontal or vertical configuration. Custom enclosed versions are available upon request.
- Soft start with motor overload protection. Frequency drives available upon request.
- PLC controller - with LED indicator lights provide easy system diagnoses.
- High pressure filtration system - 26,000 cu.ft (742 cu.m). Smaller filtration systems available at no additional charge.
- High efficiency final separator - Increased separator size and efficiency extends final filter life.
- Stainless steel stage pressure gauges. 1st, 2nd, and 3rd stage pressure gauges make compressor monitoring and diagnosis easy.
- Stainless steel oil pressure gauge.
- Low oil pressure compressor shut down.
- High temp compressor shutdown.
- Compressor auto drains 2nd and 3rd stages.
- Compressor hour meter.
- NEMA 4 x fiberglass electrical enclosure: waterproof and corrosion proof ensures your electrical components are protected.
- Swagelok stainless steel fittings on all equipment.
- Portable or stationary tank fill manifold with 4 fill whips, stainless steel fittings, pressure gauge, 10 ft hose to connect to high pressure compressor with quick disconnect, standard fill yokes. A gear bag is provided for storage of all portable manifolds.
DIN yokes are optional and additional fill hose lengths available upon request.



NS 850 AIR COOLED



ELECTRICAL BOX



PORTABLE FILL
MANIFOLD



FILTRATION SYSTEM



DRAIN SYSTEM



"Nitrox Bob" Olson
Nitrox Solutions, Inc
2002 Davis St.
San Leandro, CA 94577
T. 707-292-2331
bob@nitroxtech.com



Lauderdale Diver
1334 Southeast 17th St. Causeway.
Ft. Lauderdale, FL 33316
T: 1.800.654.2073 / 954.467.2822
www.lauderdalediver.com
getwet@lauderdalediver.com



Greg "Moondog" Mooney
757 SE 17th St. PMB # 958
Ft. Lauderdale, FL 33316
T. 954 2574694
moondogdive@aol.com